

# GTO

## USE & INSTALLATION GUIDE

### STEP 1: REVIEW CONTENTS & PREP FIREARM

OPEN CONTENTS AND PLACE IN FRONT OF YOU FOR REVIEW.

[1] GTO, \*[1] FINGER TOUCH ADAPTER (FTA), [1] FTA TOOL (FOR INSTALLATION/REMOVAL), [1] CR1/3N BATTERY, [1] FDA YELLOW LABEL, [2] BATTERY DOOR PLATES, [2] .050" HEX KEYS, [2] MOUNTING SCREWS, [2] COTTON SWABS, [1] WARRANTY CARD, [1] INSTALLATION GUIDE

MAKE SURE PISTOL IS UNLOADED AND ALL AMMUNITION IS PLACED ON A SEPARATE TABLE WHEN INSTALLING OR CHANGING BATTERIES.

NEXT STEP: CHOOSE YOUR ACTIVATION MODE.

### STEP 2: CHOOSE YOUR ACTIVATION MODE

#### FINGER TOUCH MODE



In Finger Touch Mode, the laser turns on/off by touching vertical gold contacts located on the side of the housing. To start using the GTO in this mode proceed to STEP 3.

#### GRIP TOUCH MODE

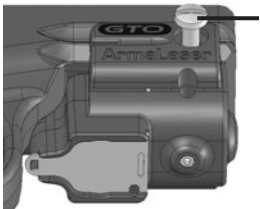
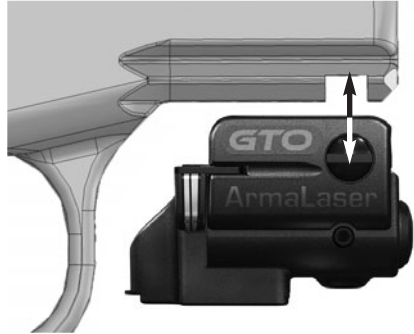


GTO stands for Grip Touch Option. By using an optional FLX strip, the laser will turn on automatically when the user grasps the pistol grip. The Finger Touch Adapter **MUST** be removed for Grip Touch Mode. Now, open and follow the instructions on the inside of the FLX package. Proceed to STEP 4.

### STEP 3: INSTALLING FOR FINGER TOUCH MODE

Slide the GTO onto rail. Align the screw hole located on the right side of the GTO choosing the notch closest to the trigger guard.

Proceed to Step 5.



Insert the Mounting Screw through right side of GTO and tighten using a medium-size flathead screwdriver.

### STEP 4: INSTALLING FOR GRIP TOUCH MODE

**NOTE: The Finger Touch Adapter must be removed prior to installation on pistol.**

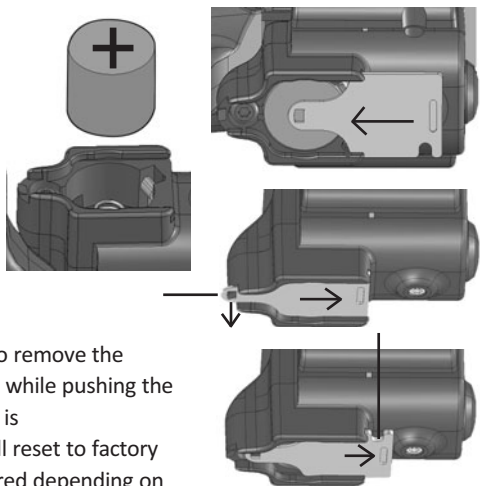
Use the Removal/Installation Tool to remove the Finger Touch Adapter by pressing down on the 2 silver contacts located on the top of the GTO. While lightly pressing down, slide the Adapter off and store. You are now ready to use the GTO in Grip Touch Mode ONLY. Use the tool in the same manner to reattach the Adapter. NOTE: You must remove the FLX in order to go back to using the GTO in Finger Touch Mode. Once the FLX strip is removed it cannot be used again. When replacing the Adapter, wiggle Adapter left to right until both sides snap into place.



NEXT, install the FLX as per instructions that came in the FLX packaging, slide the GTO onto the pistol rail. Align the screw hole located on the right side of the GTO with the pistol rail notch indicated on the FLX packaging.

### STEP 5: INSTALLING/CHANGING THE BATTERY

Insert the battery positive end out (as shown). Push down on the battery door plate while sliding it all the way until the tab clicks into place. To remove the battery, lift up slightly on the locked tab, while pushing the plate towards muzzle. When the battery is removed/replaced, the programming will reset to factory settings. Reprogramming may be required depending on desired modes of use.



## STEP 6: PROGRAMMING

Battery removal places GTO into default factory settings. Insert hex key into hole shown and press until you hear a click.

### Finger Touch Mode:

Default Factory Setting

### Grip Touch Mode:

Click 4 times

### Steady Beam:

Default Factory Setting

### Pulsing Beam:

Click 2 times

### Shut On or Off:

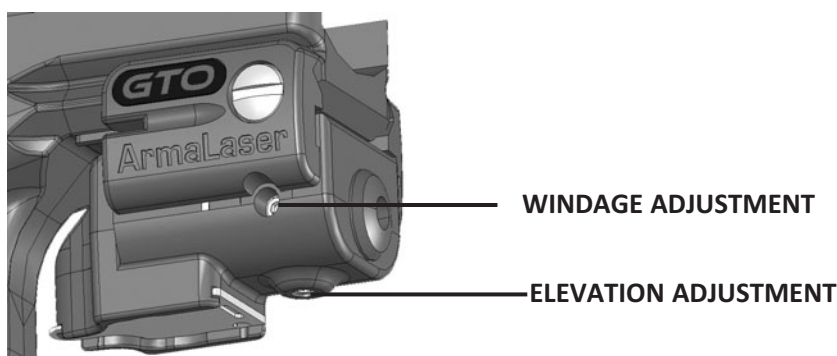
Click and hold for 2 seconds



To reverse any of the above settings, repeat the step taken.

## STEP 7: ADJUSTING/SIGHTING THE LASER

For best results, adjust the GTO to your iron sights at a flat wall approximately 20 feet away. Fine tune dot placement at shooting range. **DO NOT rotate hex key more than 1 full turn in either direction.** Unit arrives sighted from factory and will only require minor adjustment.



### ADJUSTING WINDAGE (LEFT/RIGHT)

Insert the hex key into windage hole shown.



MOVES DOT  
LEFT



MOVES DOT  
RIGHT

### ADJUSTING ELEVATION (UP/DOWN)

Insert the hex key into the elevation shown.



MOVES DOT  
UP



MOVES DOT  
DOWN

### CLEANING LASER LENS

Occasionally, burned powder and debris can coat the laser lens causing blurry/fuzzy or a weakened appearance of the dot. Insert the larger end of the supplied cotton swab directly into the laser lens and rotate several turns, while applying gentle pressure. If this does not improve the appearance of the lens, try again, this time moistening the tip of the cotton swab by dipping it into rubbing alcohol. After cleaning with alcohol, allow a few minutes for lens to dry.

### TROUBLE SHOOTING?

Here are a few tips if you experience issues with your GTO:

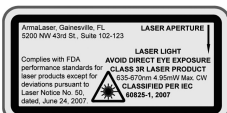
**LASER SHUTS OFF DURING SHOOTING:** We recommend and equip the GTO with Duracell brand batteries. Duracell batteries do not lose voltage when exposed to harsh recoil.

**LASER WILL NOT ADJUST:** Take your hex key and rotate both the elevation and windage set screws counter-clockwise so they are just slightly raised out of the surface of the GTO housing. If the adjustment system is functional, the red dot will appear in the upper-left of your sight picture. Rotate each screw back in slowly until the red dot begins to respond, adjust to iron sights.

If you experience any difficulty, please contact Customer Care at 1 800 680 5020 or [care@armalaser.com](mailto:care@armalaser.com)

## WE WANT TO HELP.

FDA LABEL MUST BE ADHERED TO FLAT SIDE OF FRAME OR SLIDE



**GENERAL LASER SAFETY: CAUTION** - Use of controls/adjustments/performance of procedures other than those specified herein may result in hazardous radiation exposure.

**NO SERVICE ALLOWED:** Maintenance is specifically **limited** to the cleaning of the housing and battery replacement. Performing maintenance outside of those indicated may void warranty. **CAUTION** - Perform all maintenance with power off to avoid accidental exposure. No maintenance required to keep product compliant.

**WARNING STATEMENT: DO NOT POINT LASER AT PEOPLE, ANIMALS, OR SHINY/REFLECTIVE SURFACES. LASER LIGHT – AVOID DIRECT EYE EXPOSURE.**

**OUTPUT PARAMETERS RED LASER:**  
630-650nm  
<5mW CW  
Beam Diameter:<5mm  
Beam Divergence:<1.5mRad  
Mode:TEM00

**OUTPUT PARAMETERS GREEN LASER:**  
510-530nm  
<5mW CW  
Beam Diameter:<5mm  
Beam Divergence:<1.5mRad  
Mode:TEM00

**ARMALASER INC.**  
5200 NW 43RD STREET, SUITE 102-123  
GAINESVILLE, FL 32606

**WWW.ARMALASER.COM**  
TEL: 800-680-5020